

# Central Oil Mist & Smoke collection system - A•smoke<sup>80T</sup> and up

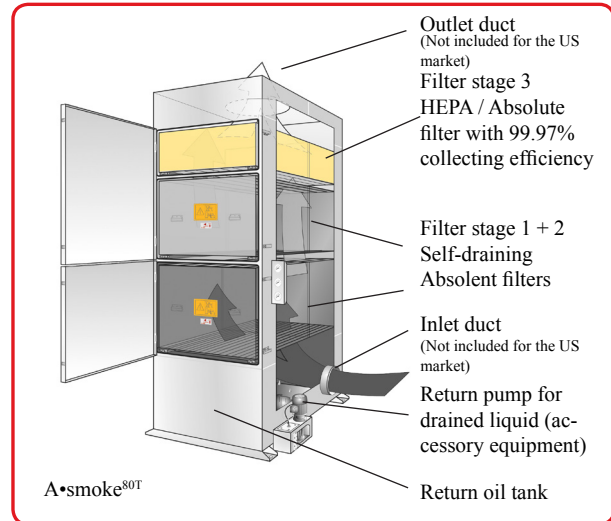
The Absolent A•smoke product line features one of the most effective systems in the world for collecting oil mist and oil smoke from various machining processes. This series of central collectors are dimensioned to the required air-flow and sized in standardized parallel modules. A•smoke is designed for handling the most demanding applications with a dense mist and smoke problem. Typical applications are high-speed machining, heat treatment and cold headers, all signified by a very high level of ultra fine particles in their exhaust air. At the same time, maintenance is minimal.

### Operation

The collecting process is done in three stages. The first and second stage consist of self-draining Absolent filter cassettes which are specifically designed for collecting both mist and smoke particles of which the latter are very small and usually defined as smaller than 1.0 micron. These two stages together have a collecting efficiency of 95-99% depending on particle size. The third stage consists of a HEPA-filter (H13), which has a guaranteed and consistent collecting efficiency of 99.97% @ 0.3 microns. Every filter stage has a pressure gauge that indicates when a filter change is necessary. Thanks to the continuous draining of the filter cassettes, the unit can be operated without interruptions. The return oil is collected at the bottom of the filter for recycling.



A•smoke<sup>80T</sup>



### “Absolently” clean air

The filtered air becomes so clean that it usually can be returned to the premises. For heated and air-conditioned plants this means a reduction of energy loss and for all plants it reduces the effort and cost to maintain a well balanced general ventilation.

### Extremely low maintenance.

An Absolent A•smoke unit can run up to 6 years without requiring a filter change. The result is a low Life Cycle Cost.

### Reliable and durable design

The A•smoke has a very compact design minimizing required floor space. The unit contains no moving components which makes it a very reliable collector. Furthermore it is a highly robust tower design in welded high strength steel to ensure a totally leak free functionality.

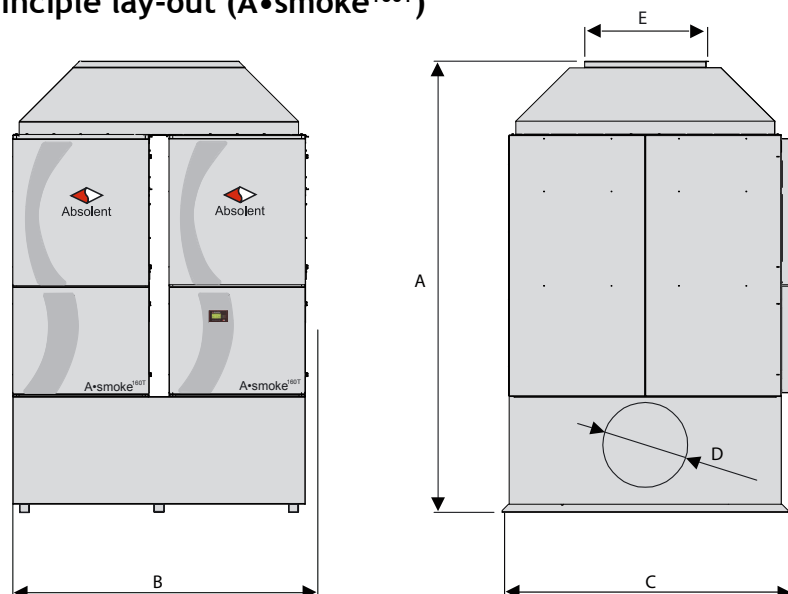
The A•smoke is supplied with powder painted finish that adds a quality styling to the shop floor.

### Range of Application

The Absolent A•smoke collector is well suited for applications such as:

- Heat treatment
- Cold-drawing
- Gear cutting
- Grinding with neat oil
- CNC turning with neat oil
- Forging
- Cold pressing
- Die casting

## Principle lay-out (A•smoke<sup>160T</sup>)



### Unique filter cassettes

Absolent is one of few companies in this line of business that has specialized in the filtration of air containing wet particles. This has given us the opportunity to develop a filter cassette that offers a long useful life with consistently high collecting efficiency.

The filter unit has a central outlet as a standard.

Side outlet upon request (for height see table underneath).

| Technical Data                         |                    | A•smoke <sup>80T</sup> | A•smoke <sup>160T</sup> | A•smoke <sup>240T</sup> | A•smoke <sup>320T</sup> |
|--|--------------------|------------------------|-------------------------|-------------------------|-------------------------|
| Max. permissible air volume            | [cfm]              | 4700                   | 9400                    | 14100                   | 18800                   |
| Weight (with clean filter cassettes)   | [lbs]              | 3153                   | 5512                    | 8600                    | 11464                   |
| Height with centred outlet (A)         | [in]               | 116                    | 131.8                   | 139.1                   | -                       |
| Height with side outlet (A)            | [in]               | 116                    | -                       | 130.2                   | 153.7                   |
| Width (B)                              | [in]               | 45.4                   | 89.1                    | 135                     | 180.5                   |
| Depth (C)                              | [in]               | 83.3                   | 85.2                    | 85.2                    | 85.4                    |
| Rec. Inlet duct (D)                    | [in]               | ø 16                   | ø 25                    | ø 28                    | ø 36                    |
| Rec. Outlet duct (E)                   | [in]               | ø 20                   | ø 32                    | ø 32                    | 77.2x29.1               |
| Filter area filter 1 (Absolent filter) | [ft <sup>2</sup> ] | 517                    | 1033                    | 1550                    | 2067                    |
| Filter area filter 2 (Absolent filter) | [ft <sup>2</sup> ] | 549                    | 1098                    | 1647                    | 2196                    |
| Filter area filter 3 (HEPA-filter)     | [ft <sup>2</sup> ] | 1214                   | 2428                    | 3642                    | 4857                    |

Filter units for bigger airflows can be supplied on request.

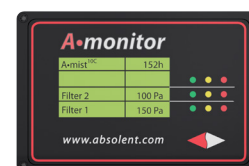
### Standard Equipment

- RAL 7035 fine structure  
Other colours on request!
- Pressure gauges for reading the pressure drop across the filter

### Accessories

- External fan unit
- Automatic starter
- Pump unit for drained liquid
- Control of pump unit equipment
- Frequency control of the fan with constant pressure control
- Duct connections for the various types of steel or plastic ductwork available on the market
- Pressure monitor, for external alarm or alarm indications with LED
- Filter sledge for easy change of filter cassettes
- Special colors

### Electronic manometer



- Pressure drop and operation hour meters
- Optical indication of filter alarm (LED).
- Digital output signal for remote supervision.

Ongoing product development may subject our specifications to alteration without notice.

Absolent Inc.  
8601 Six Forks Road, Suite 400  
Raleigh, NC 27615  
USA  
Phone: +1 (919) 882 2075  
Fax: +1 (919) 882 2087  
E-mail: info@absolent.com  
Sweden • USA • China

The logo consists of a stylized red and black diamond shape above the word 'Absolent' in a bold, sans-serif font.

www.absolent.com

Dealer: